

PRODUCT INFORMATION PACKET

marathon[®]
Motors

Model No: 5K49PN3053

Catalog No: K279

3/4-1/4 HP 2 speed Fan and Blower HVAC/R Motor, 3 phase, 1800/1800 RPM, 200-230 V, 56 Frame, ODP
Other Fan and Blower Motors



Regal and Marathon are trademarks of Regal Beloit Corporation or one of its affiliated companies.
©2020 Regal Beloit Corporation, All Rights Reserved. MC017097E

REGAL



Nameplate Specifications

Output HP	3/4-1/4 Hp	Output KW	0.56 kW
Frequency	60 Hz	Voltage	200-230 V
Current	2.8-3.0,1.6-1.8 A	Speed	1725/1140 rpm
Service Factor	1.25	Phase	3
Efficiency	72 %	Power Factor	0
Duty	Continuous	Insulation Class	B
Design Code	B	KVA Code	M
Frame	56	Enclosure	Drip Proof
Thermal Protection	N/R	Ambient Temperature	40 °C
Drive End Bearing Size	6203	Opp Drive End Bearing Size	6203
UL	Recognized	CSA	Yes
CE	N		

Technical Specifications

Electrical Type	Three Phase	Starting Method	N/R
Poles	4	Rotation	Counterclockwise/Clockwise
Mounting	Resilient Base	Motor Orientation	ANY
Drive End Bearing	BALL	Opp Drive End Bearing	Ball
Frame Material	Rolled Steel	Overall Length	11.48 in
Frame Length	7.15 in	Shaft Diameter	0.630 in
Shaft Extension	1.88 in	Thru-bolts Extension	0 in
Connection Drawing	113A930FIG7	Outline Drawing	52A109511P3

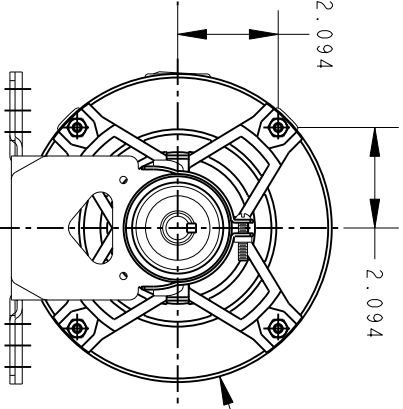
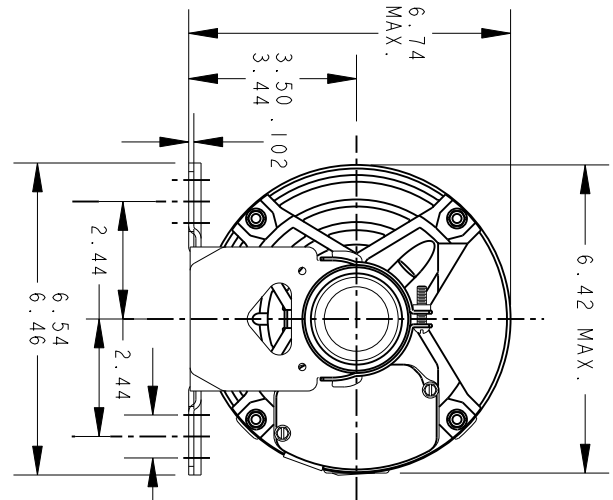
This is an uncontrolled document once printed or downloaded and is subject to change without notice. Date Created:03/11/2020

THIRD ANGLE PROJECTION

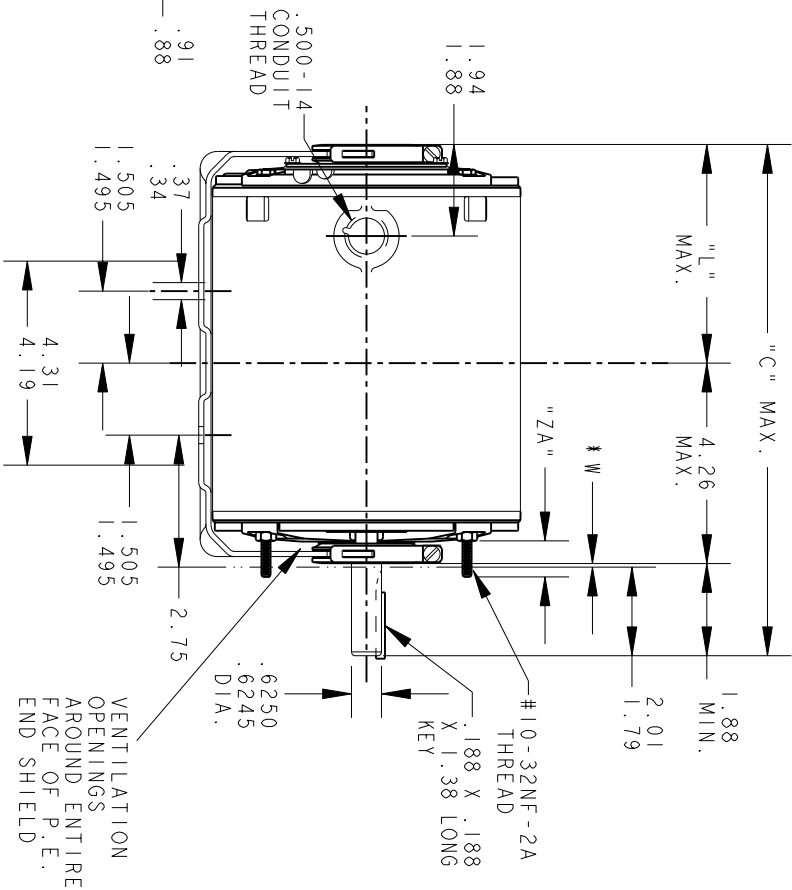


REVISIONS

REV.	DESCRIPTION	DATE	APPROVED
2	ADDED PART #4.	07/05/94	M.D. PAPE
3	CHG TO RBC FORMAT PER IS05-1777	03/16/06	SUDHA



VIEW OF P.E. END SHIELD



* W IS A VARIABLE CLEARANCE DUE TO VARIATIONS IN PARTS AND ASSEMBLY

VENTILATION OPENINGS AROUND ENTIRE FACE OF P.E. END SHIELD

4	3	2	1	P
KH/K	KH/K	KH/K	KH/K	TYPE
49	49	46	46	GE
56	56	56	56	SIZE
12.01	11.48	10.88	10.88	NEMA "C"
5.75	5.22	4.62	4.62	FR. "L"
.62	.62	.62	.62	"ZA"

ALL DIMENSIONS ARE IN INCHES



REGAL-BELOTT CORPORATION

OUTLINE

GENERAL PURPOSE MOTOR - DRIP PROOF - BALL BEARING - RESILIENT BASE EXTENDED CLAMP SCREWS FMF - 40 FRAME REDESIGN

FOR ADDITIONAL INFO REFER TO:	MODEL	MA MARKS	DATE
APPLIED PRACTICES	CHECKED	ENGRG	MFG
DIMENSIONS ARE IN INCHES	ISSUED	QUALITY	QUALITY
MATERIAL	SOLID MODEL: 52A109511	M.A.M.	03/29/94

TITLE	SCALE: 0.250	REF. No.:	SHEET 1 of 1
SIZE DRAWING	A		
REV	52A109511		3

REVISIONS

This document is the property of REGAL-BELOIT CORPORATION ("RBC") including its subsidiaries and divisions and contains proprietary information of RBC. This document is loaned on the express condition that neither the recipient nor any other person shall be permitted to check, copy, reproduce, disseminate, or otherwise use this information without the express written permission of RBC. This document shall be returned to RBC upon its request. This document may be subject to certain restrictions under U.S. export control laws and regulations.

REV.	DESCRIPTION	DATE	APPROVED
1	CHG TO RBC FORMAT PER IS05-1777	06/15/06	MADHU
2	RENAMED 113A930_FIG_7 TO 113A930FIG7 PER IS07-0972	05/08/07	MADHU

THIRD ANGLE PROJECTION

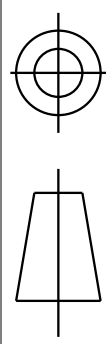
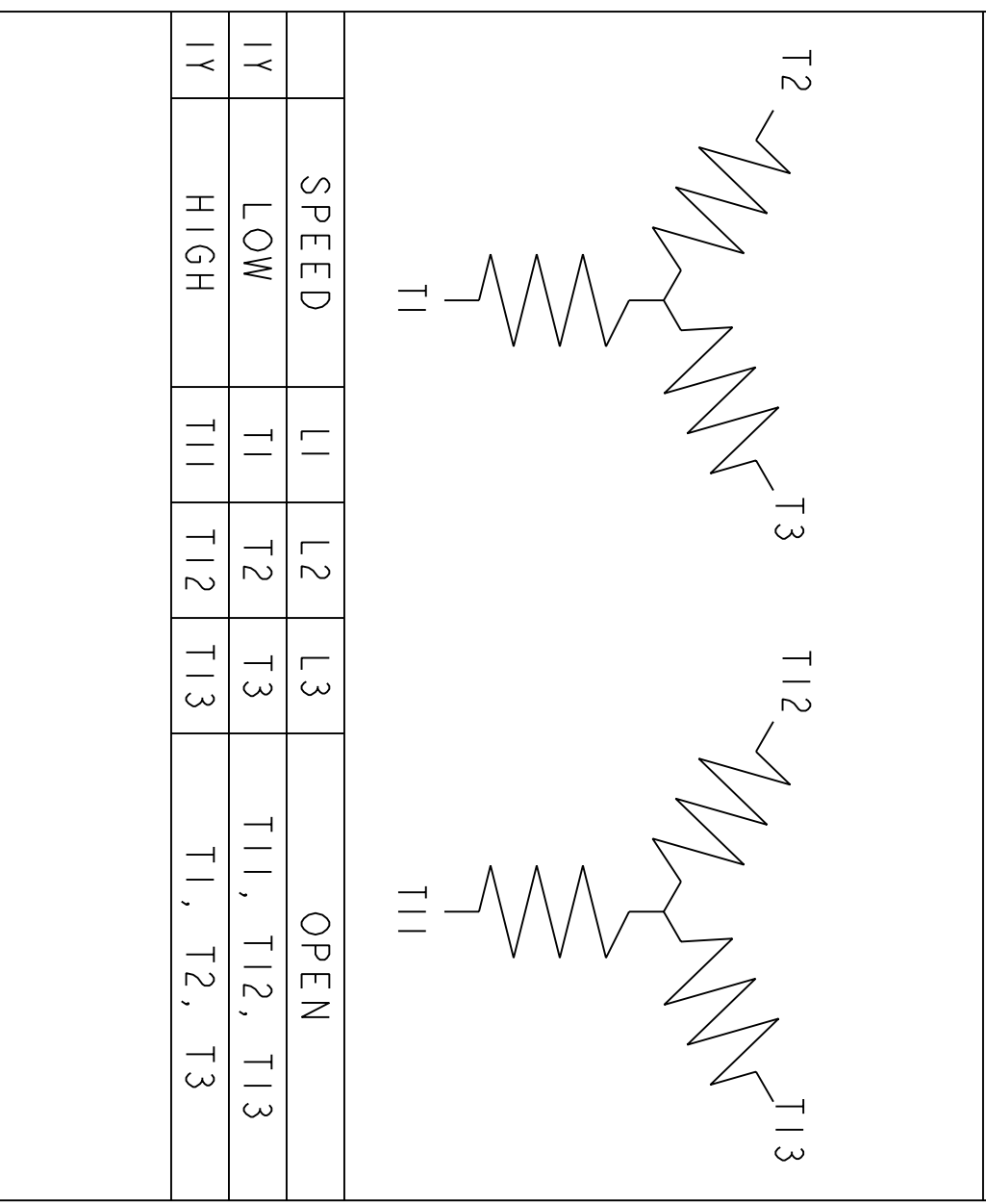


FIG. 7 - 3 PHASE, 2 SPEED, 2 WINDING



FOR ADDITIONAL INFO REFER TO:	SIGNATURES	DATE
APPLIED PRACTICES	M.D. PAPER	02/25/03
DIMENSIONS ARE IN INCHES	DETAIL	
TOLERANCE ON:	CHECKED	
1 PL DECIMALS ± 0.1	ENGRG	
2 PL DECIMALS ± 0.02	MFG	
3 PL DECIMALS ± 0.005	QUALITY	
ANGLES ± 1.0	ISSUED	
FRACTIONS ±	M.D. PAPER	02/25/03
FINISH	SOLID MODEL: 113A930FIG7	



REGAL-BELOIT CORPORATION

CONNECTION DIAGRAM

TITLE	SIZE	DRAWING	REV
	A		2
SCALE: 1.000	REF. No.:		SHEET 1 of 1
113A930FIG7			